



Protective Pull Station Enclosure

Weather Resistant

STI-3150



The Cat No. STI-3150 is an ideal weather resistant cover for surface mounted pull stations. It is made from UV stabilized polycarbonate. The cover is hinged and is supplied with strain relief.

For protection of fire alarm pull stations in institutions, Industrial, commercial and government facilities.

FEATURES

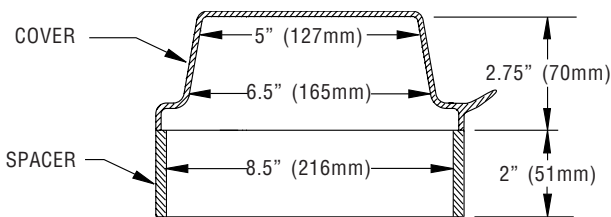
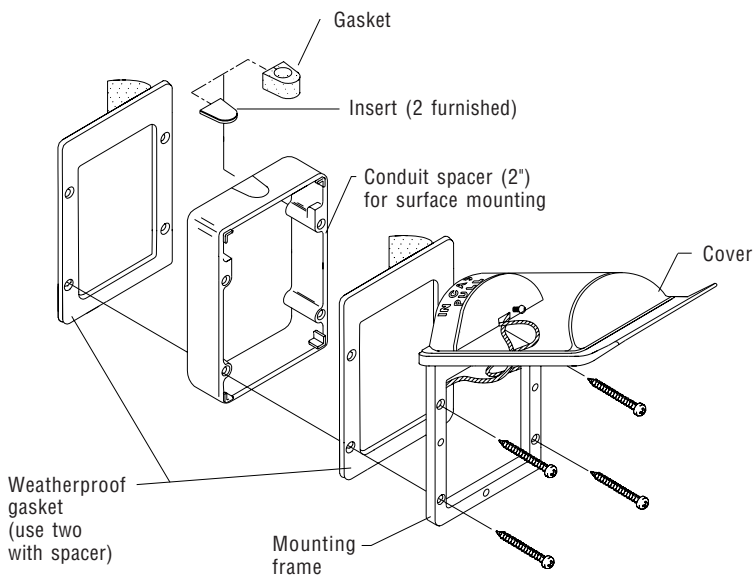
- > Clear polycarbonate cover UV stabilized against sun light
- > Protects manual pull stations from dust and grime
- > Supplied with gaskets and conduit spacer
- > Removable cover with strain relief
- > Internal ground screw is standard

AGENCY APPROVALS

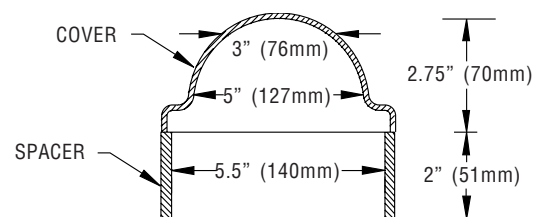
- > UL and cUL listed as Fire Alarm Box Trim

SPECIFICATIONS

- > Operating temperature range: -40 to +49C (-40 to +120F)



SIDE VIEW



END VIEW